



## Technical comercial data

# CU-5.5 T.CU-5.5

Serie CUBETA – Versión 17-05-2023

### TECHNICAL DATA:

Material: PP copolymer of first quality, suitable for contact with food according to current regulations.

Colours: White standard. Consult for other colours.

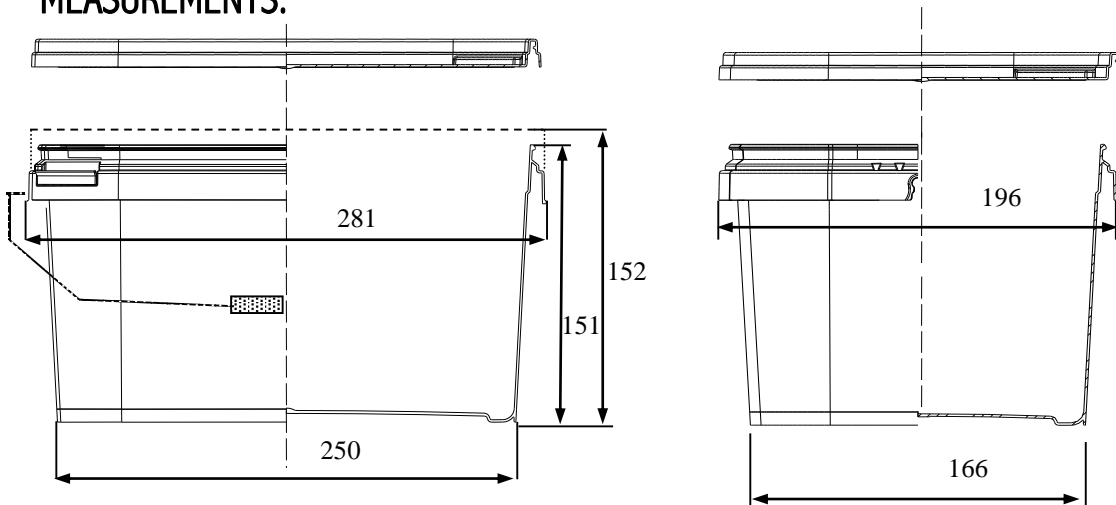
Useful Volume: 5.5 litres  
Volume to the edge: 6.2 litres

Weight of the rectangular bucket: 211 g. approx.  
Weight of the lid: 69 g. approx.  
Weight of the handle (plastic): 20 g. approx.  
Total Weight: 300 g. approx.



Design surface photographic finish: 105 x 770 mm (height x perimeter).

### MEASUREMENTS:



Measurements in millimetres

### GROUPING OF TRANSPORT:

Rectangular buckets: 600 rectangular buckets per pallet  
Pallet dimensions: 1180 x 1020 x 1130 (see drawing)

Lids: 200 lids per box, this serves as a packaging of transportation

Box dimension: 810 x 287 x 410

